

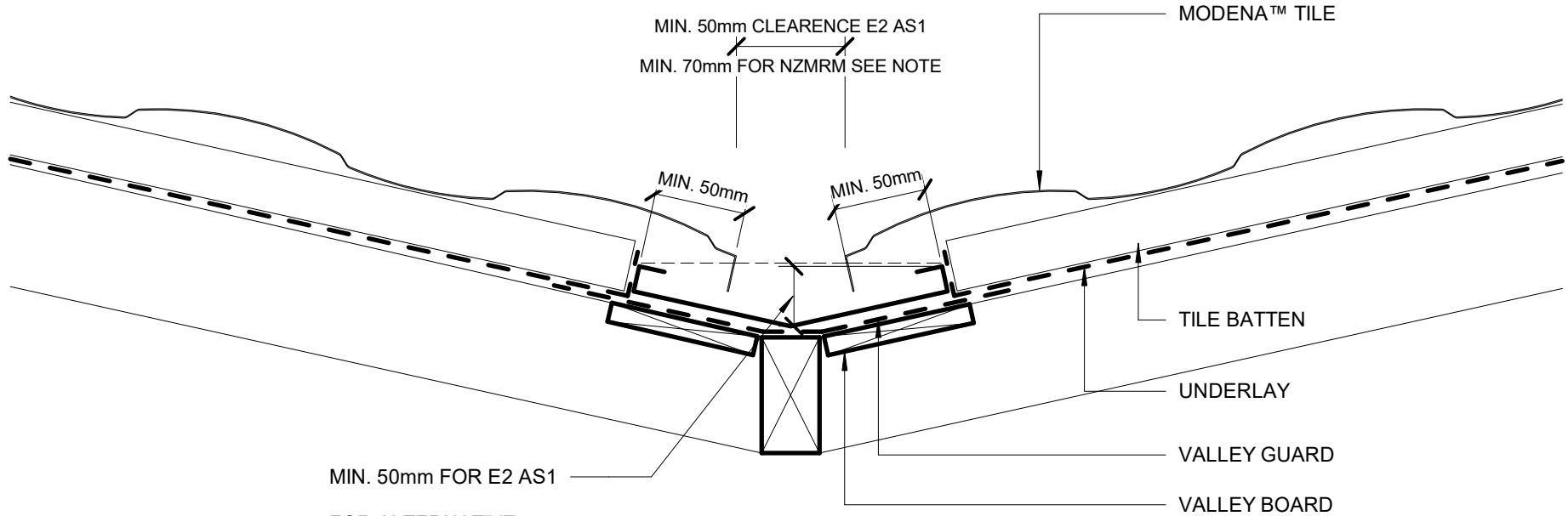
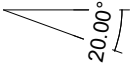
Modena

RESIDENTIAL ROOFING

DETAIL LIST

		<u>Revision</u>	<u>Date</u>
00 / 13	COVER SHEET		
01 / 13	VALLEY FLASHING	1.0	OCT 2023
02 / 13	ANGLE RIDGE	1.0	OCT 2023
03 / 13	FOLDED RIDGE	1.0	OCT 2023
04 / 13	ANGLE BARGE	1.0	OCT 2023
05 / 13	FOLDED BARGE	1.0	OCT 2023
06 / 13	ANGLE CAP BARGE	1.0	OCT 2023
07 / 13	FOLDED CAP BARGE	1.0	OCT 2023
08 / 13	TILE BATTEN LAYOUT 01	1.0	OCT 2023
09 / 13	TILE BATTEN LAYOUT 02	1.0	OCT 2023
10 / 13	CHIMNEY SIDE VIEW	1.0	OCT 2023
11 / 13	HEAD APRON	1.0	OCT 2023
12 / 13	SIDE FLASHING	1.0	OCT 2023
13 / 13	SECRET GUTTER	1.0	OCT 2023

*MODENA™
MIN. ROOF PITCH = 20°



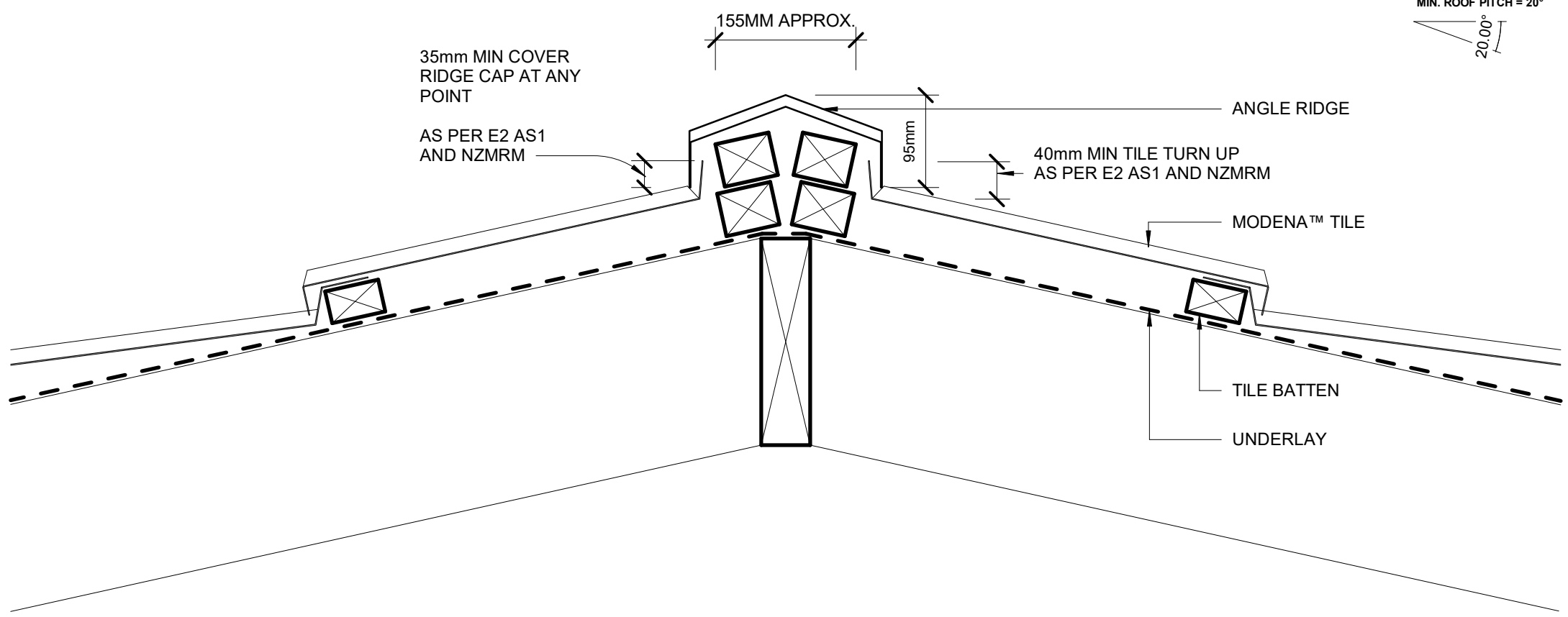
FOR ALTERNATIVE
VALLEY GUTTER DESIGN
REFER NZMRM CODE OF
PRACTICE

FOR VALLEY GUTTER DIMENSIONS AS PER
TABLE 8 OF E2 AS1.

OR FOR ALTERNATIVE VALLEY GUTTER
DESIGN REFER TO THE NZMRM CODE OF
PRACTICE.

ROOF AND WALL UNDERLAYS. PLEASE REFER TO NZBC E2/AS1 AND NZMRM CODE OF PRACTICE VERSION SEPTEMBER 2023.

*MODENA™
MIN. ROOF PITCH = 20°

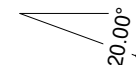


ROOF AND WALL UNDERLAYS. PLEASE REFER TO NZBC E2/AS1 AND NZMRM CODE OF PRACTICE VERSION SEPTEMBER 2023.

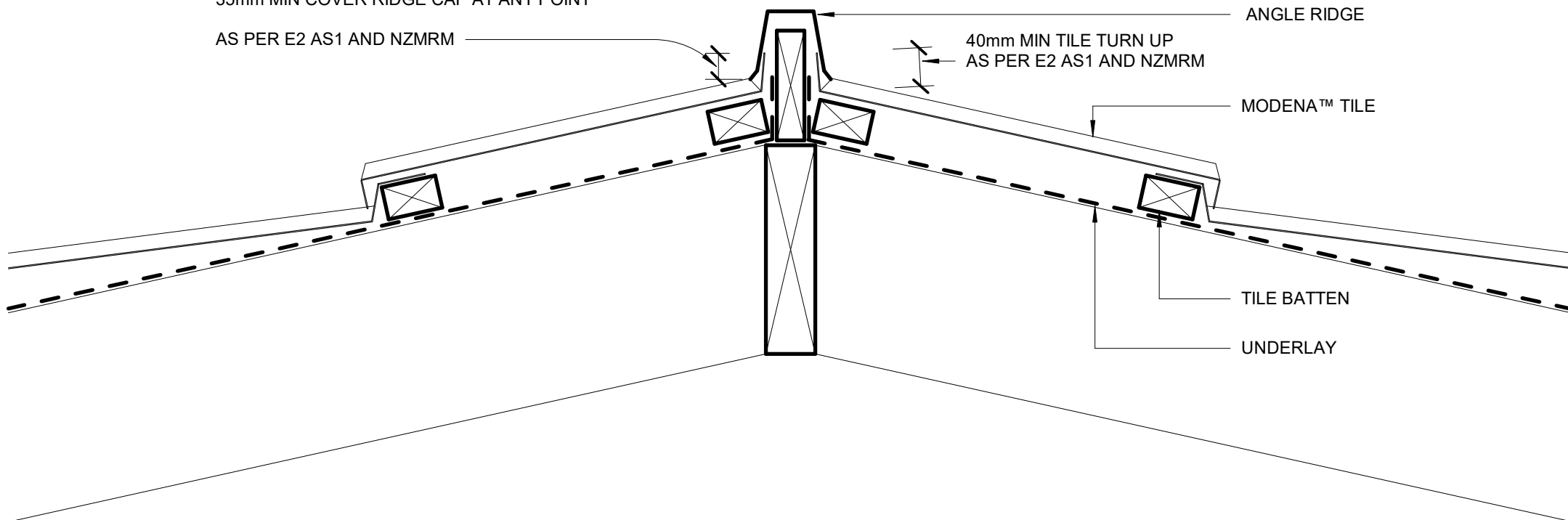
Metalcraft
Roofing
www.metalcraftgroup.co.nz

DISCLAIMER:
All details are to be used for indicative purposes only and the designer should consult both the NZMRM code of practice version September 2023, E2 and all other relevant building codes
Details of the supporting mechanisms are indicative only. Compliance of the supporting mechanisms is the responsibility of the designer. Construction detail can vary for wall cladding. The underlay is detailed as a single line for simplicity and is indicative only. Building paper type and method of installation should comply with underlay manufacturers recommendations and NZBC regulations.

*MODENA™
MIN. ROOF PITCH = 20°



35mm MIN COVER RIDGE CAP AT ANY POINT
AS PER E2 AS1 AND NZMRM



ROOF AND WALL UNDERLAYS. PLEASE REFER TO NZBC E2/AS1 AND NZMRM CODE OF PRACTICE VERSION SEPTEMBER 2023.

Metalcraft
Roofing
www.metalcraftgroup.co.nz

DISCLAIMER:
All details are to be used for indicative purposes only and the designer should consult both the NZMRM code of practice version September 2023, E2 and all other relevant building codes
Details of the supporting mechanisms are indicative only. Compliance of the supporting mechanisms is the responsibility of the designer. Construction detail can vary for wall cladding. The underlay is detailed as a single line for simplicity and is indicative only. Building paper type and method of installation should comply with underlay manufacturers recommendations and NZBC regulations.

Modena

Rev. 1.0

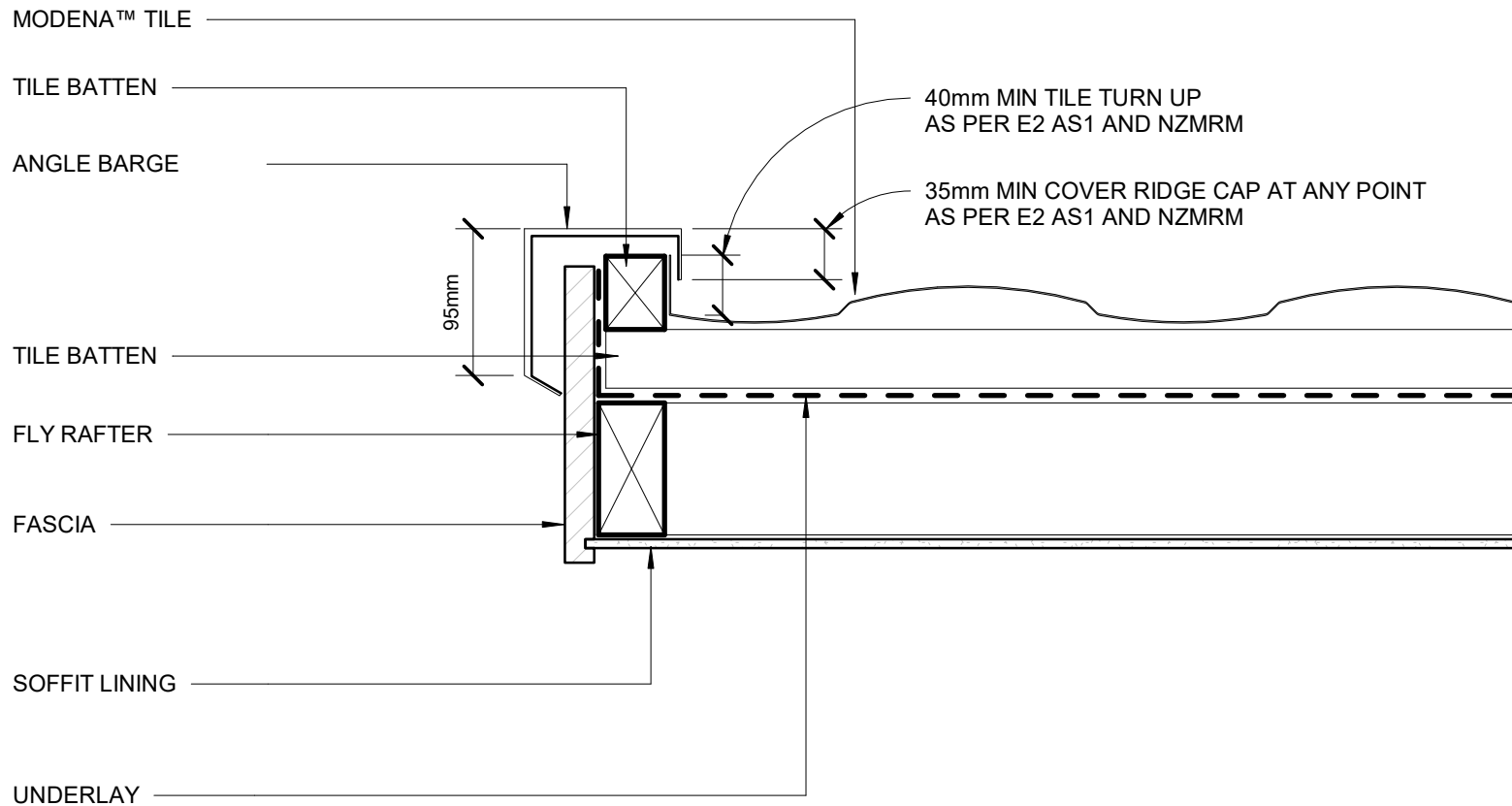
Date OCT 2023

Scale 1 : 5

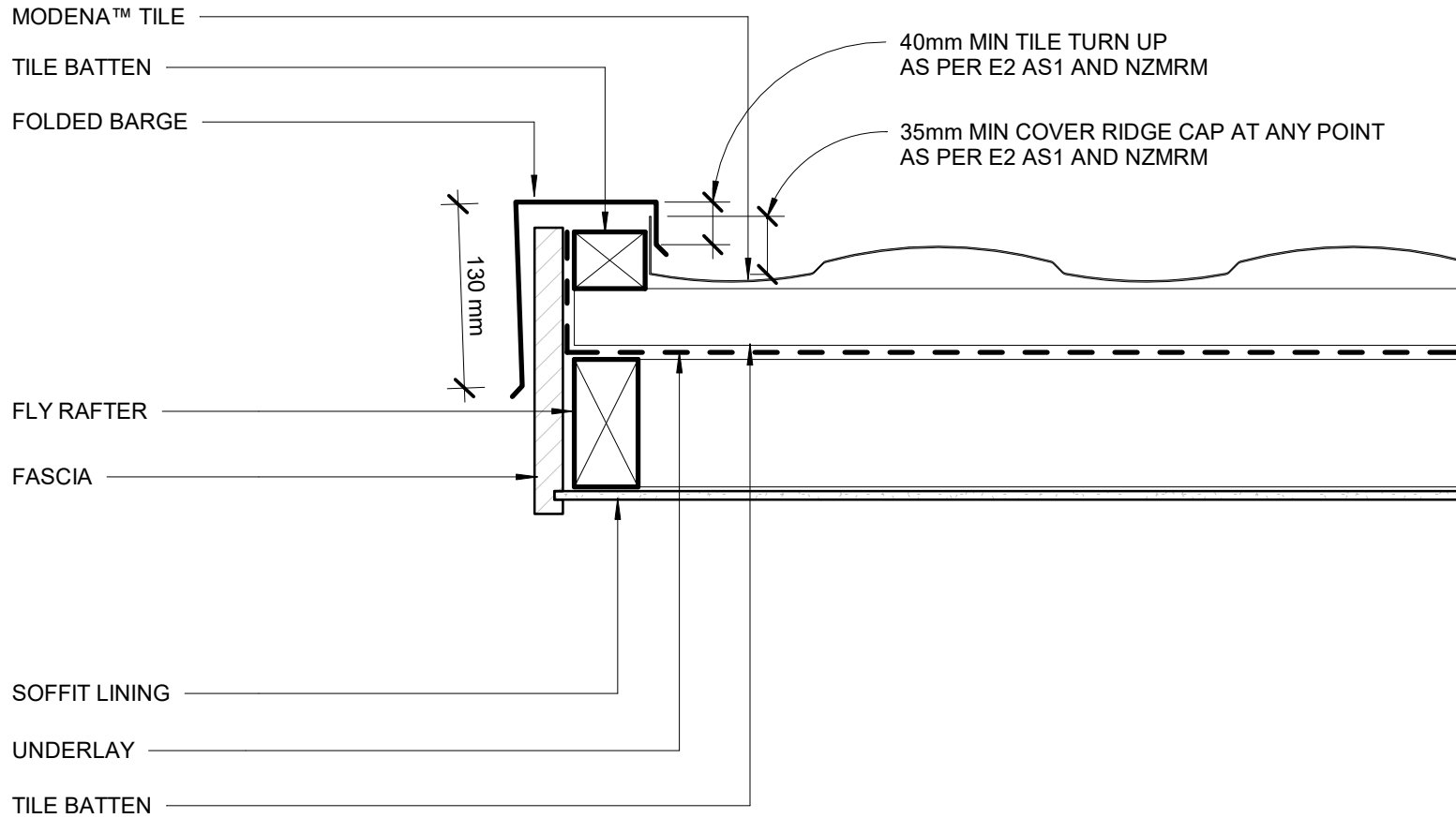
FOLDED RIDGE
RESIDENTIAL ROOFING

Sheet

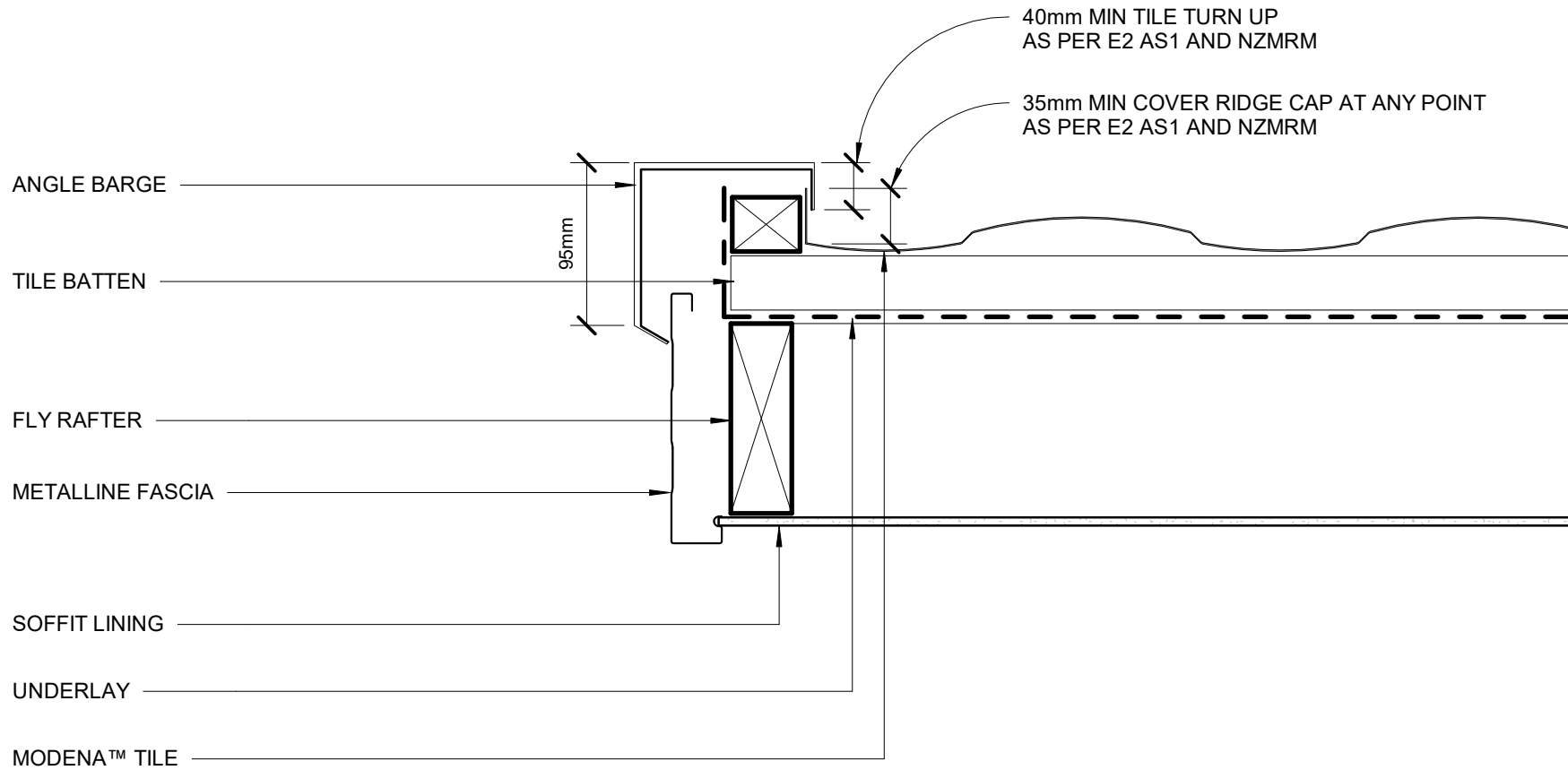
03 / 13



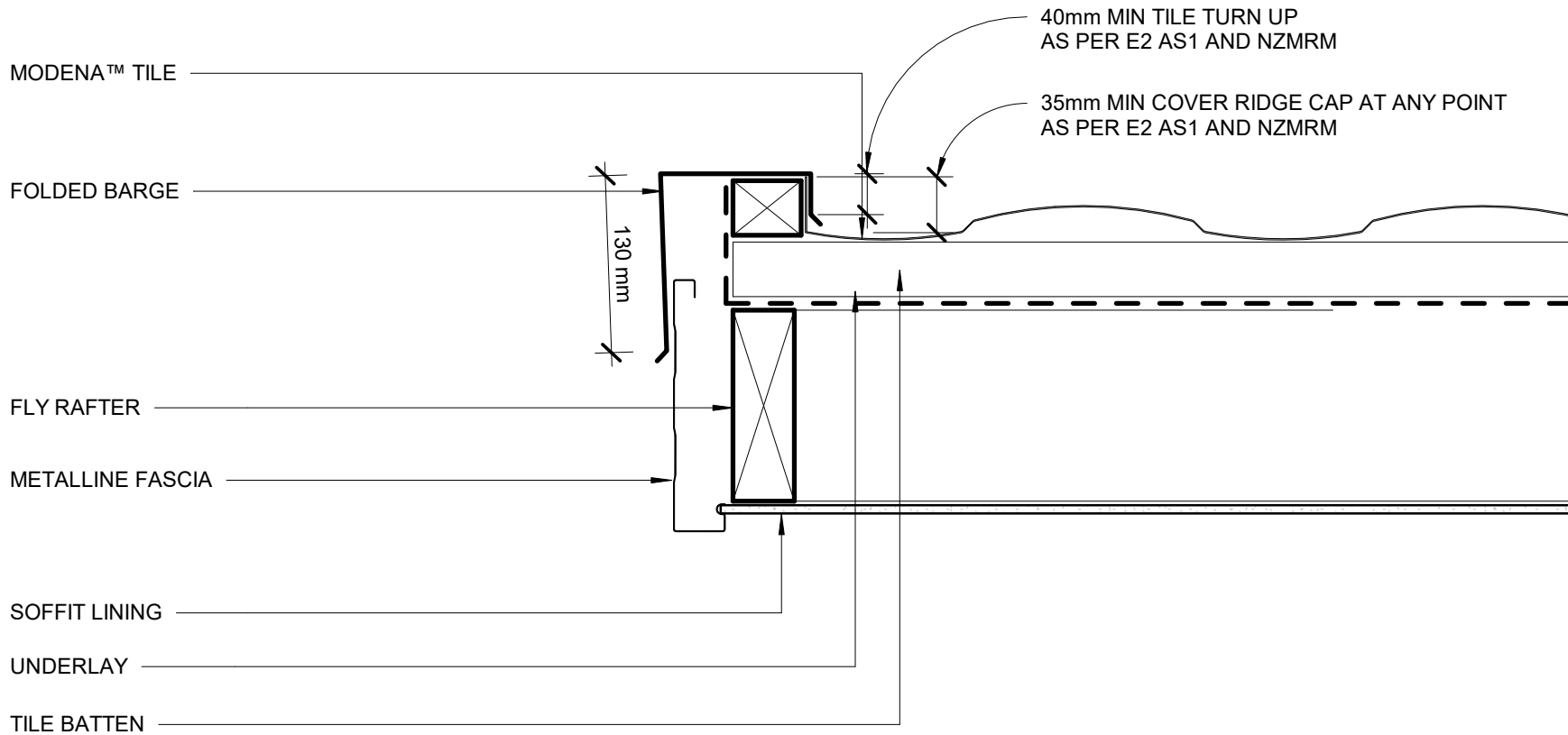
ROOF AND WALL UNDERLAYS. PLEASE REFER TO NZBC E2/AS1 AND NZMRM CODE OF PRACTICE VERSION SEPTEMBER 2023.



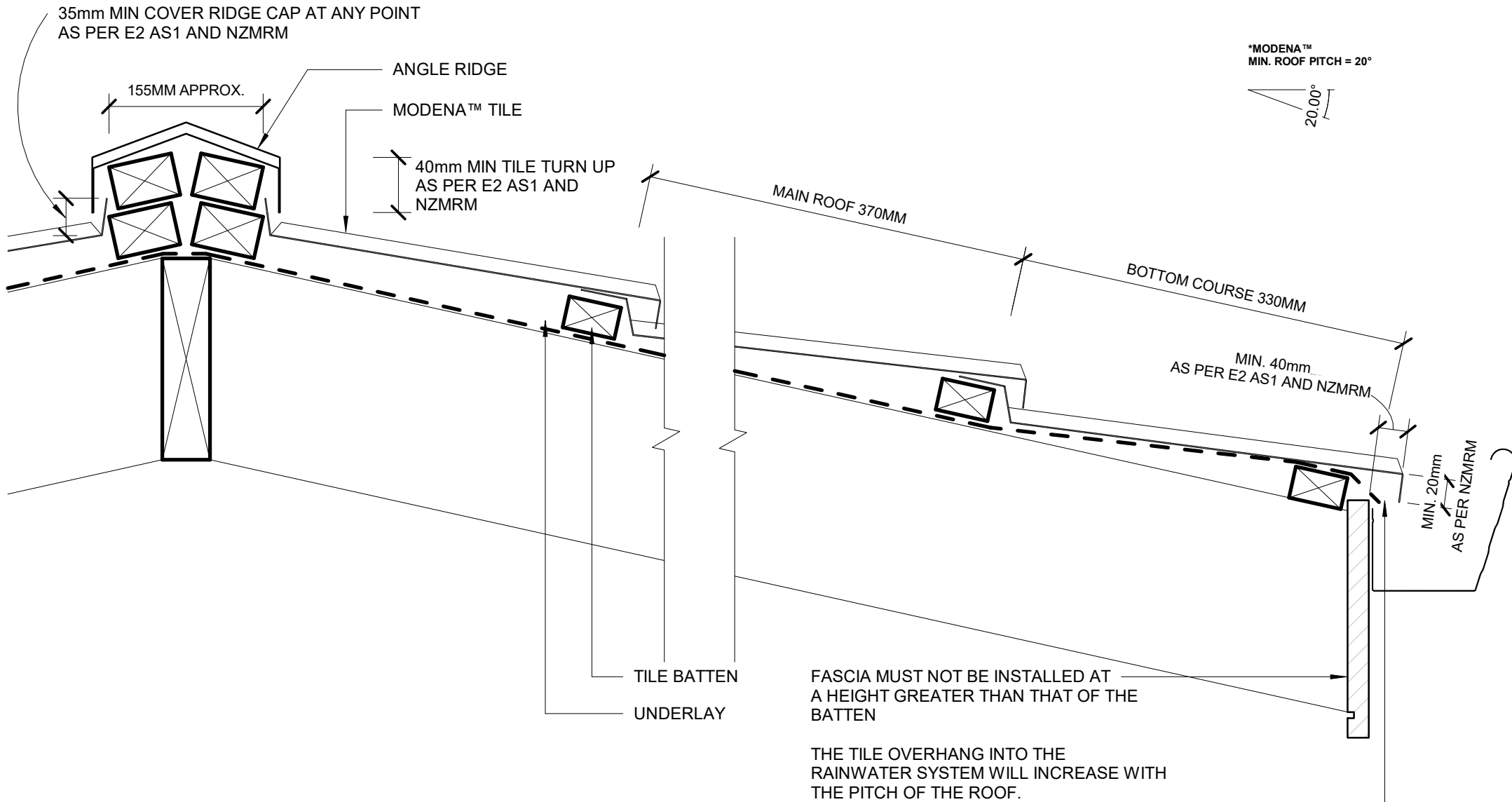
ROOF AND WALL UNDERLAYS. PLEASE REFER TO NZBC E2/AS1 AND NZMRM CODE OF PRACTICE VERSION SEPTEMBER 2023.



ROOF AND WALL UNDERLAYS. PLEASE REFER TO NZBC E2/AS1 AND NZMRM CODE OF PRACTICE VERSION SEPTEMBER 2023.

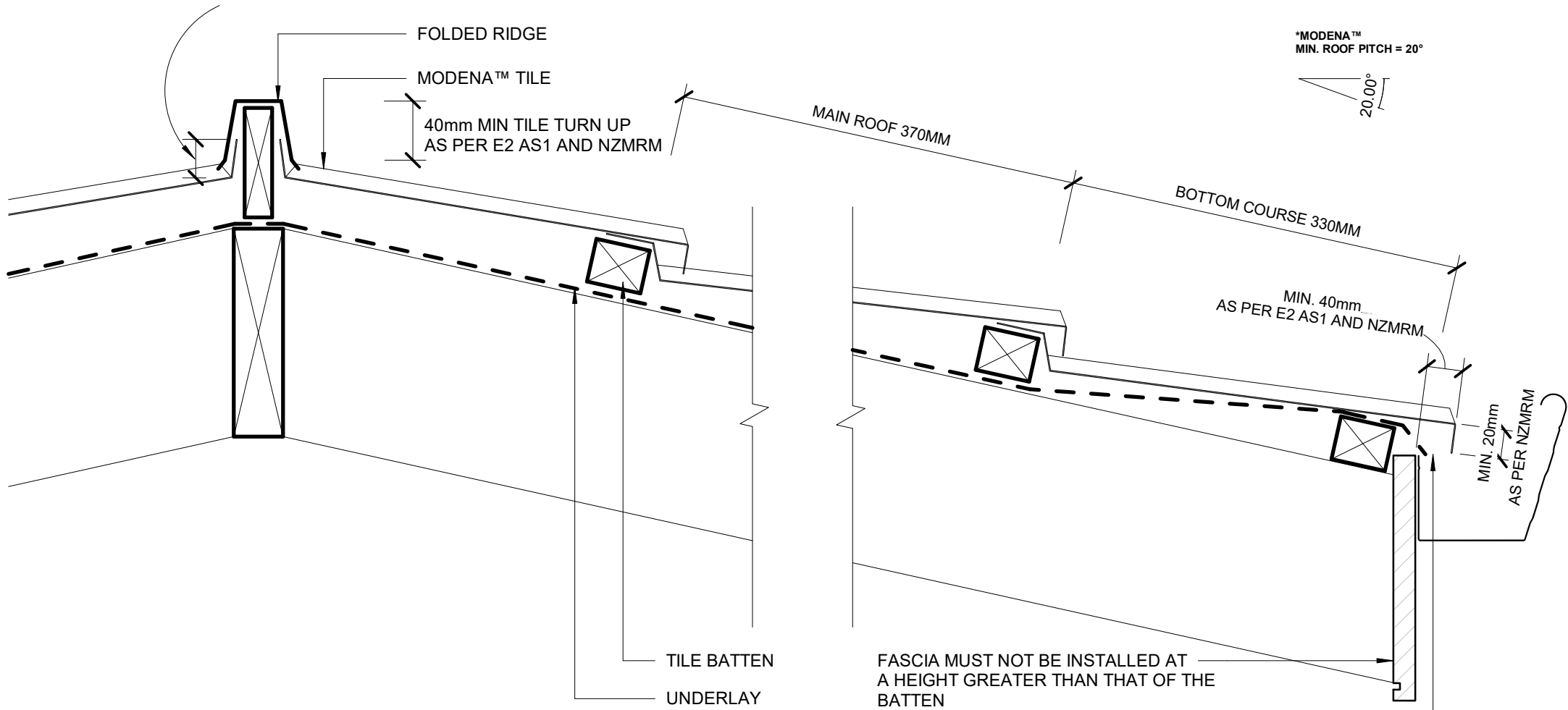


ROOF AND WALL UNDERLAYS. PLEASE REFER TO NZBC E2/AS1 AND NZMRM CODE OF PRACTICE VERSION SEPTEMBER 2023.



ROOF AND WALL UNDERLAYS. PLEASE REFER TO NZBC E2/AS1 AND NZMRM CODE OF PRACTICE VERSION SEPTEMBER 2023.

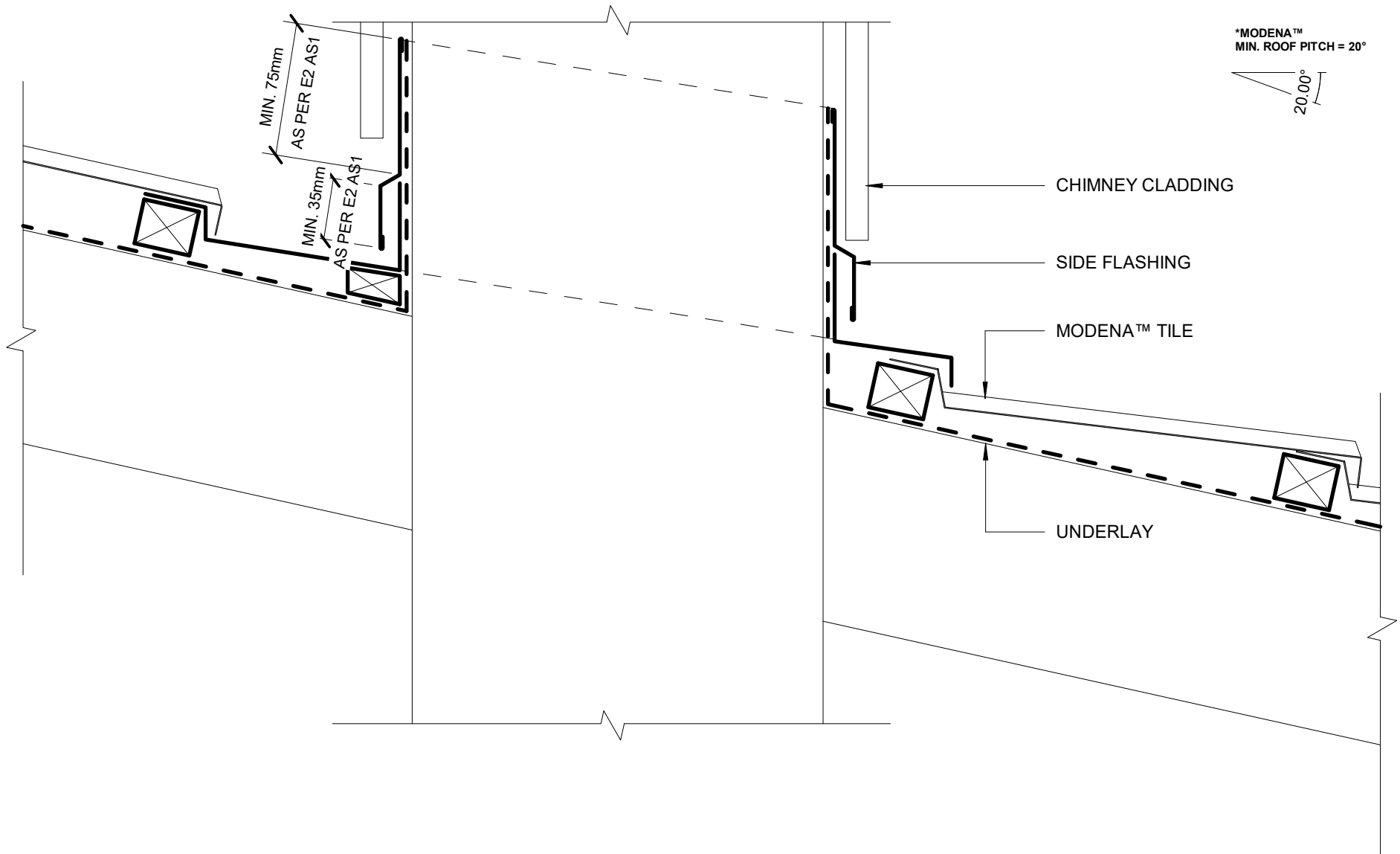
35mm MIN COVER RIDGE CAP AT ANY POINT
AS PER E2 AS1 AND NZMRM



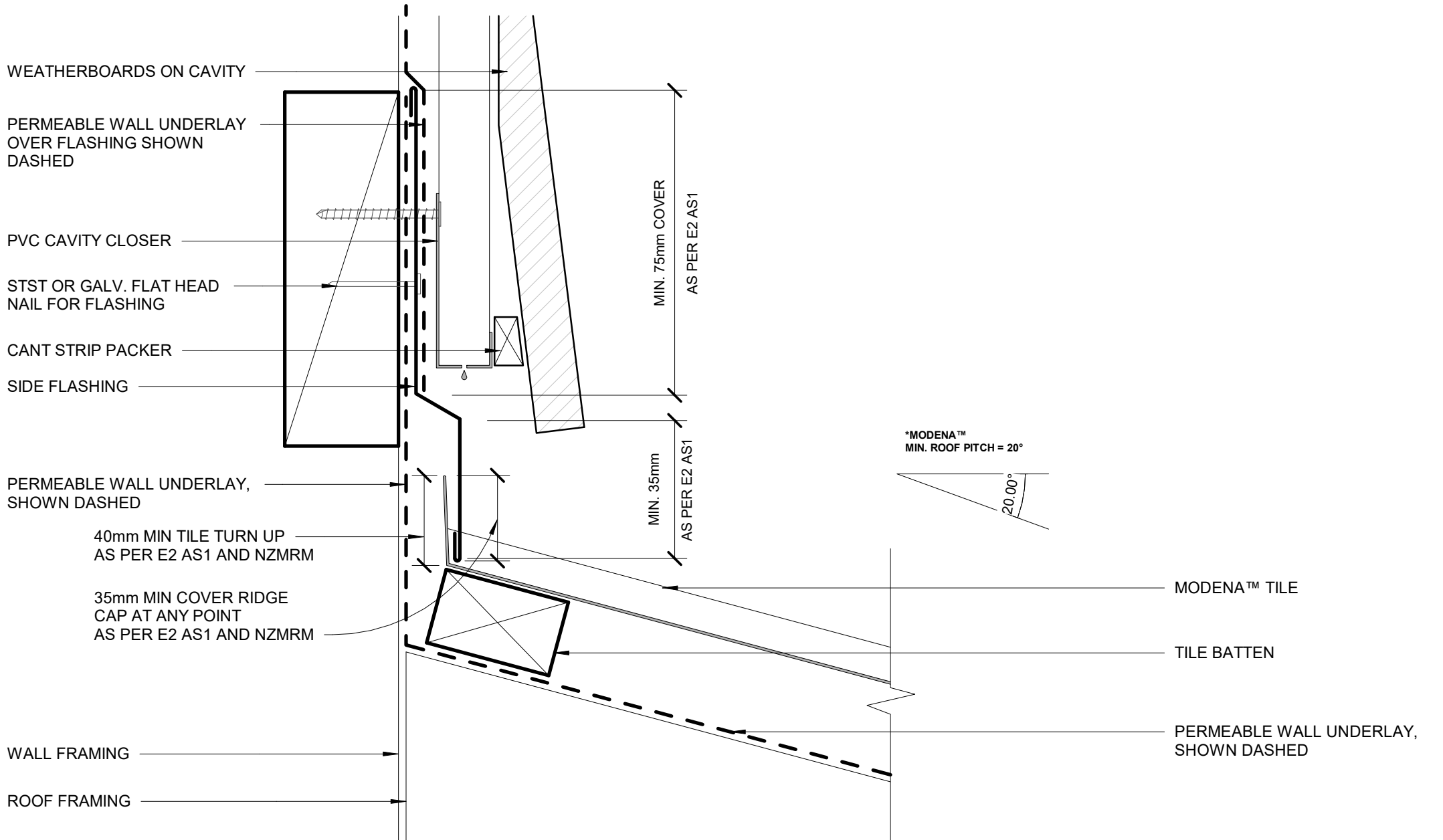
FASCIA MUST NOT BE INSTALLED AT A HEIGHT GREATER THAN THAT OF THE BATTEN

THE TILE OVERHANG INTO THE RAINWATER SYSTEM WILL INCREASE WITH THE PITCH OF THE ROOF. THE POSITION OF THE BOTTOM COURSE WILL VARY DEPENDING ON THE TYPE OF RAINWATER SYSTEM SELECTED.

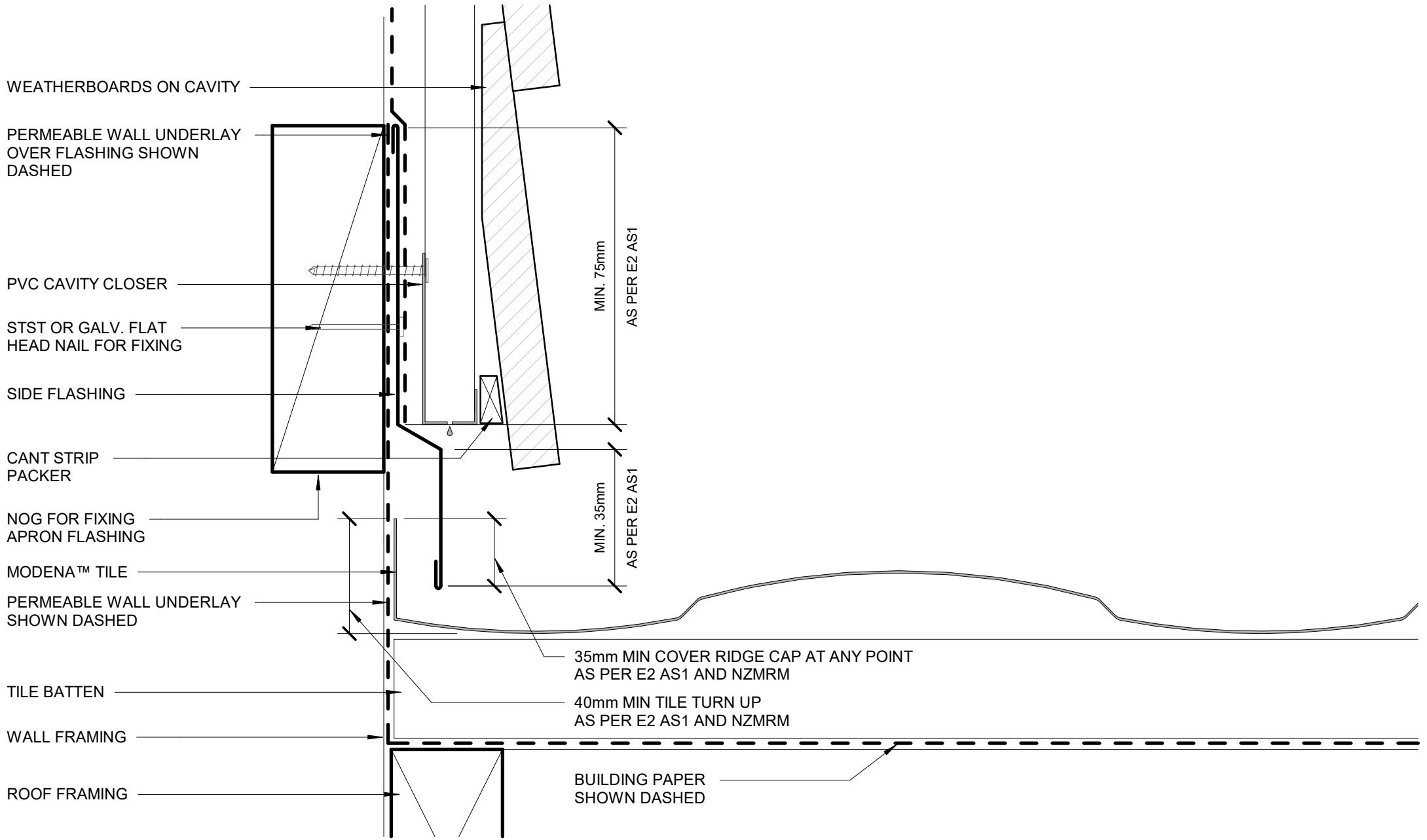
ROOF AND WALL UNDERLAYS. PLEASE REFER TO NZBC E2/AS1 AND NZMRM CODE OF PRACTICE VERSION SEPTEMBER 2023.



ROOF AND WALL UNDERLAYS. PLEASE REFER TO NZBC E2/AS1 AND NZMRM CODE OF PRACTICE VERSION SEPTEMBER 2023.

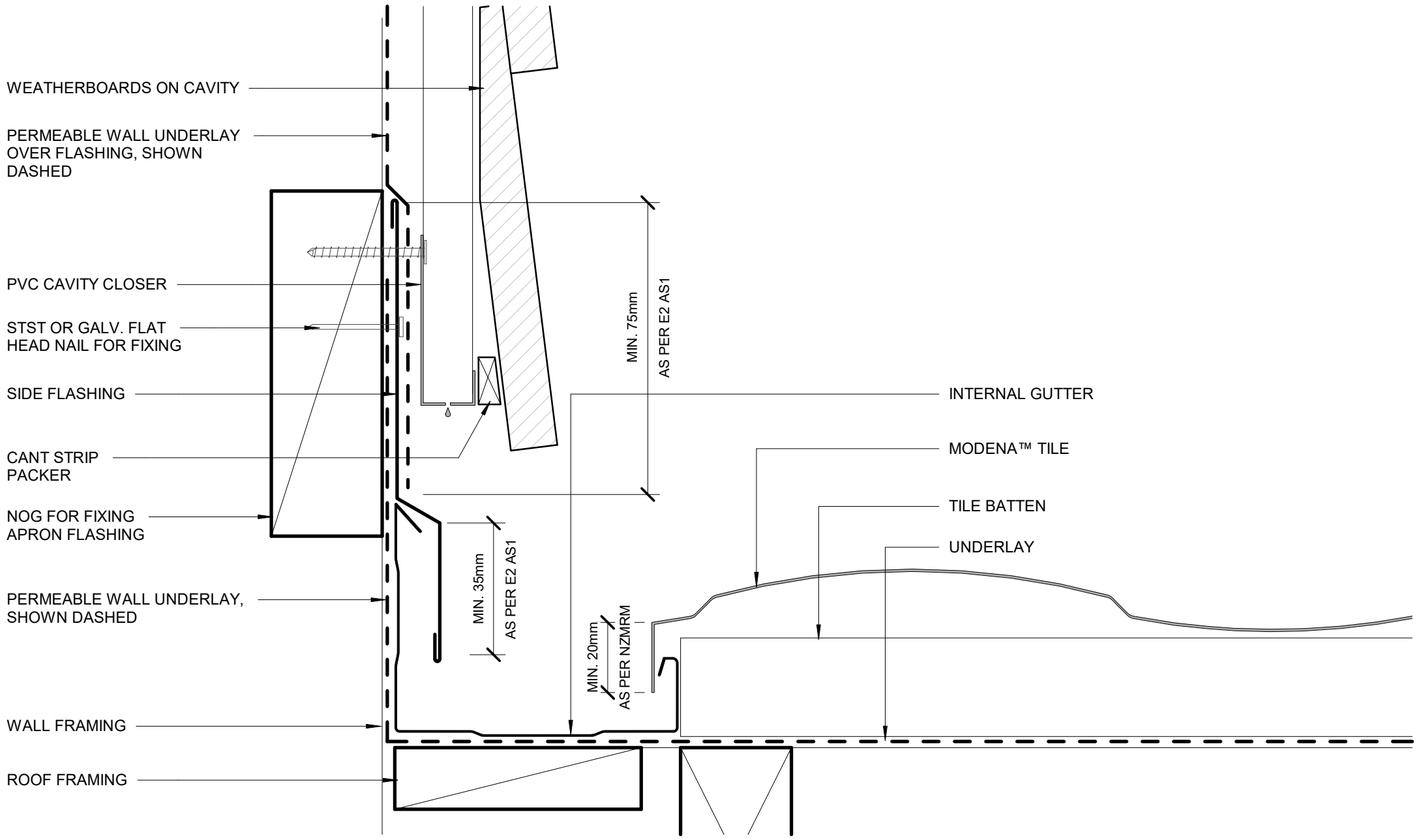


ROOF AND WALL UNDERLAYS. PLEASE REFER TO NZBC E2/AS1 AND NZMRM CODE OF PRACTICE VERSION SEPTEMBER 2023.



ROOF AND WALL UNDERLAYS. PLEASE REFER TO NZBC E2/AS1 AND NZMRM CODE OF PRACTICE VERSION SEPTEMBER 2023.

DISCLAIMER:
 All details are to be used for indicative purposes only and the designer should consult both the NZMRM code of practice version September 2023, E2 and all other relevant building codes
 Details of the supporting mechanisms are indicative only. Compliance of the supporting mechanisms is the responsibility of the designer. Construction detail can vary for wall cladding. The underlay is detailed as a single line for simplicity and is indicative only. Building paper type and method of installation should comply with underlay manufacturers recommendations and NZBC regulations.



ROOF AND WALL UNDERLAYS. PLEASE REFER TO NZBC E2/AS1 AND NZMRM CODE OF PRACTICE VERSION SEPTEMBER 2023.